



Characteristics



- Self-supporting casing construction made of galvanized plated steel, painted epoxy-polyester structural white colour RAL 9016 as standard. Other colours are available on request.
- Low noise twisted cross-flow fans driven with a two speed external rotor motor.
- Micro-perforated inlet grille with filter functions makes unnecessary an intensive filter servicing, only has to be periodically wiped or vacuumed
- “P” type includes water heated coils. “E” type includes electrical shielded elements, two power stages with power switches included. “A” type is without heating, air only.
- Linear blow-out jets with airfoil profiled anodized aluminium lamellas.
- Control panel and 20m of telephonic cable with fast connectors type RJ45 (Plug & Play), included. Optional: Interface to connect to BMS.

Specifications

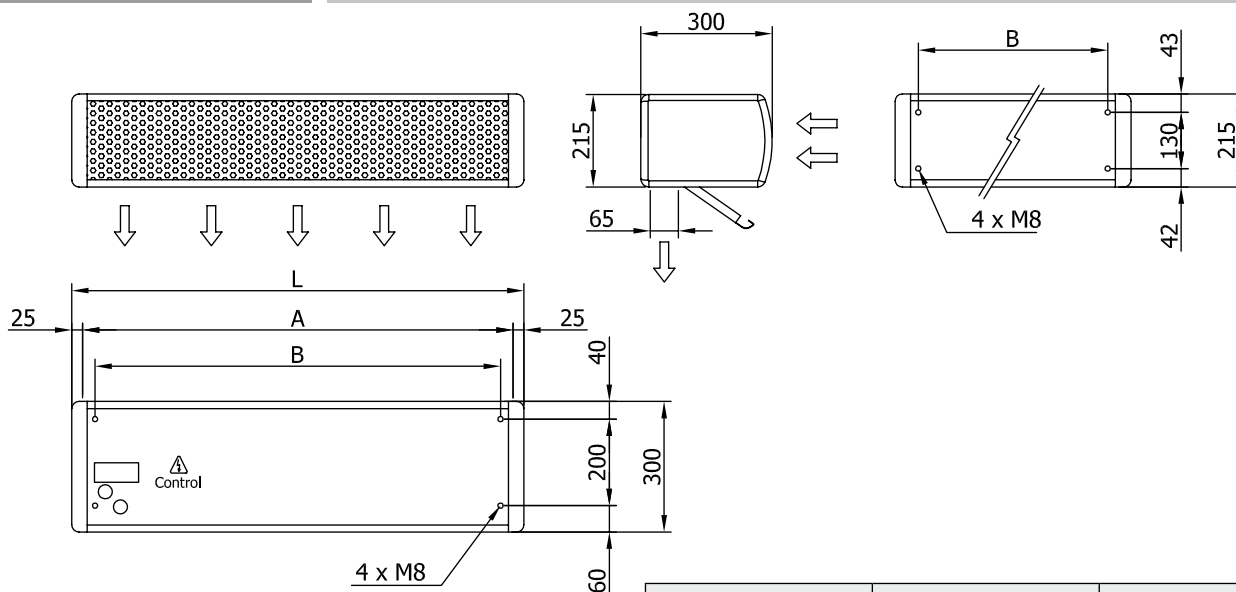
| | | OPT 1000 A | OPT 1000 P | OPT 1000 E(*) | | OPT 1500 A | OPT 1500 P | OPT 1500 E(*) | |
|---------------------|-------|------------|------------|---------------|-----------|-------------|-------------|---------------|-----------|
| Power (Fan) | W | 45/98 | 45/98 | 45/98 | | 61/112 | 61/112 | 61/112 | |
| Voltage | V | 230V~1 | 230V~1 | 230V~1 | | 230V~1 | 230V~1 | 230V~1 | |
| Current | A | 0,23/0,50 | 0,23/0,50 | 0,23/0,50 | | 0,33/0,55 | 0,33/0,55 | 0,33/0,55 | |
| Speed | rpm | 1.350 | 1.350 | 1.350 | | 1.300 | 1.300 | 1.300 | |
| Airflow Min./Max. | m³/h | 750/1.100 | 750/1.100 | 750/1.100 | | 1.100/1.600 | 1.100/1.600 | 1.100/1.600 | |
| Power (Heating) | kW | - | 7,11 | 4/6 | 3,8/5,65 | - | 10,77 | 6/9 | 3,8/5,65 |
| Voltage | V | - | - | 400~3 | 230~1 | - | - | 400~3 | 230~1 |
| Current | A | - | - | 5,8/8,7 | 15,8/23,5 | - | - | 8,7/13 | 15,8/23,5 |
| Temperature Rise | °C | - | 11/15 | 16/16 | 15/15 | - | 11,5/16,5 | 16/17 | 10/10,5 |
| Weight | kg | 17,5 | 20,5 | 20,5 | | 25,5 | 27,5 | 27,5 | |
| Noise Level | dB(A) | 41/50 | 41/50 | 41/50 | | 43/52 | 43/52 | 43/52 | |
| Maximum Height (**) | m | 2,2 | 2,2 | 2,2 | | 2,2 | 2,2 | 2,2 | |

(*) “E” Standard models are with electrical heating at 400V three phase. “E230” Optional models at 230V single phase.

(**) Depending on installation conditions.

Water heated: pipes 1/2”

Dimensions



| | L | A | B |
|----------|------|------|------|
| OPT 1000 | 1050 | 1000 | 940 |
| OPT 1500 | 1550 | 1500 | 1440 |

