



Characteristics



- Self-supporting casing construction made of galvanized plated steel, finished in structural epoxy-polyester RAL 9016 as standard. Other colours or stainless steel construction are available on request.
- Low noise centrifugal double inlet fans driven by an external rotor motor with built in thermal protection contact. Provided by five speed selection.
- Micro-perforated inlet grille with filter functions makes unnecessary an intensive filter servicing, only has to be periodically wiped or vacuumed
- "P" type includes water heated coils. "E" type includes electrical shielded elements, three power stages with power switches included. "A" type is without heating, air only.
- Anodised aluminium blow-out vanes, airfoil shaped, adjustable from 0 to 15° each side.
- Control panel and 20m of telephonic cable with fast connectors type RJ45 (Plug & Play), included. Optional: Interface to connect to BMS.

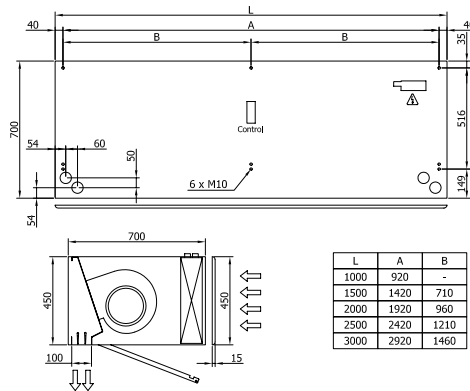
Specifications

Model	Airflow m3/h	Heating Capacity 80/60°C	Water Drop Pressure 80/60°C	Water Connection 80/60°C	Heating Capacity 60/40°C	Water Drop Pressure 60/40°C	Water Connection 60/40°C	Electrical Heating Capacity 3x400V-50Hz	Fans Power 230V-50Hz	Fans Current 230V-50Hz	Noise Level (3 m)	Weight kg
		kW	Pa		kW	Pa		kW	kW	A	dB(A)	
B 1000 P	4000	21,30	12200	2x1"	17,00	2300	2x1"	-	0,88	4	55	64
B 1000 E	4500	-	-	-	-	-	-	8,1/10,9/19	0,88	4	55	65
B 1000 A	4500	-	-	-	-	-	-	-	0,88	4	55	51
B 1500 P	6000	35,80	13580	2x1"	27,10	3000	2x1"	-	1,32	6	57	87
B 1500 E	6750	-	-	-	-	-	-	11,5/15,5/27	1,32	6	57	92
B 1500 A	6750	-	-	-	-	-	-	-	1,32	6	57	72
B 2000 P	8000	48,70	14200	2x1¼"	37,10	3400	2x1¼"	-	1,76	8	58	111
B 2000 E	9000	-	-	-	-	-	-	16/22/38	1,76	8	58	117
B 2000 A	9000	-	-	-	-	-	-	-	1,76	8	58	92
B 2500 P	10000	61,20	14400	2x1¼"	47,30	4400	2x1¼"	-	2,20	10	60	138
B 2500 E	11250	-	-	-	-	-	-	18/30/48	2,20	10	60	146
B 2500 A	11250	-	-	-	-	-	-	-	2,20	10	60	113
B 3000 P	12000	72,80	7450	2x1½"	58,60	7860	2x1½"	-	2,64	12	62	166
B 3000 E	13500	-	-	-	-	-	-	24/36/60	2,64	12	62	173
B 3000 A	13500	-	-	-	-	-	-	-	2,64	12	62	133
L 1000 P	5000	24,40	15800	2x1"	19,60	3000	2x1"	-	1,14	5,2	57	69
L 1000 E	5500	-	-	-	-	-	-	10/15/25	1,14	5,2	57	70
L 1000 A	5500	-	-	-	-	-	-	-	1,14	5,2	57	56
L 1500 P	7500	41,00	17400	2x1"	31,20	3900	2x1"	-	1,71	7,8	58	94
L 1500 E	8250	-	-	-	-	-	-	15/22,5/37,5	1,71	7,8	58	99
L 1500 A	8250	-	-	-	-	-	-	-	1,71	7,8	58	79
L 2000 P	10000	55,70	18300	2x1¼"	42,50	4310	2x1¼"	-	2,28	10,4	61	121
L 2000 E	11000	-	-	-	-	-	-	20/30/50	2,28	10,4	61	127
L 2000 A	11000	-	-	-	-	-	-	-	2,28	10,4	61	102
L 2500 P	12500	70,20	18650	2x1¼"	54,60	5750	2x1¼"	-	2,85	13	62	151
L 2500 E	13750	-	-	-	-	-	-	24/36/60	2,85	13	62	159
L 2500 A	13750	-	-	-	-	-	-	-	2,85	13	62	125
L 3000 P	15000	83,50	9600	2x1½"	67,70	10300	2x1½"	-	3,42	15,6	63	181
L 3000 E	16500	-	-	-	-	-	-	24/36/60	3,42	15,6	63	188
L 3000 A	16500	-	-	-	-	-	-	-	3,42	15,6	63	148
XL 1000 P	6400	28,00	15800	2x1"	22,77	3960	2x1"	-	2,20	9,56	59	94
XL 1000 E25	7000	-	-	-	-	-	-	10/15/25	2,20	9,56	59	95
XL 1000 E37	7000	-	-	-	-	-	-	15/22/37,5	2,20	9,56	59	95
XL 1000 A	7000	-	-	-	-	-	-	-	2,20	9,56	59	81
XL 1500 P	9600	42,69	1380	2x1"	36,43	5200	2x1"	-	3,30	14,64	60	125
XL 1500 E37	10500	-	-	-	-	-	-	15/22/37,5	3,30	14,34	60	130
XL 1500 E50	10500	-	-	-	-	-	-	20/30/50	3,30	14,34	60	130
XL 1500 A	10500	-	-	-	-	-	-	-	3,30	14,34	60	110

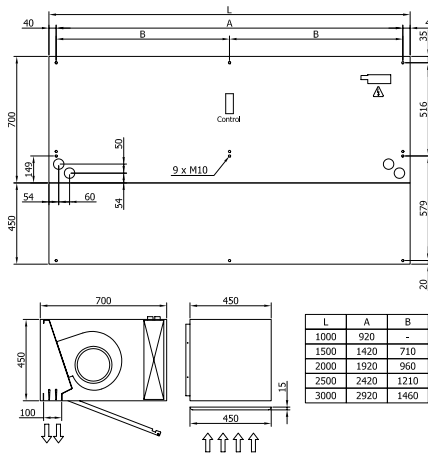


Model	Airflow m3/h	Heating capacity 80/60°C kW	Water Drop Pressure 80/60°C Pa	Water Connection 80/60°C	Heating Capacity 60/40°C kW	Water Drop Pressure 60/40°C Pa	Water Connection 60/40°C	Electrical Heating Capacity 3x400V-50Hz kW	Power Fans 230V-50Hz kW	Current Fans 230V-50Hz A	Noise Level (3 m) dB(A)	Weight kg
XL 2000 P	12800	60,87	3570	2x1¼"	50,02	5960	2x1¼"	-	4,40	19,12	63	156
XL 2000 E50	14000	-	-	-	-	-	-	20/30/50	4,40	19,12	63	162
XL 2000 E60	14000	-	-	-	-	-	-	24/36/60	4,40	19,12	63	162
XL 2000 A	14000	-	-	-	-	-	-	-	4,40	19,12	63	137
XL 2500 P	16000	78,75	7240	2x1¼"	63,77	7700	2x1¼"	-	5,50	23,90	64	191
XL 2500 E60	17500	-	-	-	-	-	-	24/36/60	5,50	23,90	64	199
XL 2500 E74	17500	-	-	-	-	-	-	27,8/46,4/74,2	5,50	23,90	64	199
XL 2500 A	17500	-	-	-	-	-	-	-	5,50	23,90	64	166
XL 3000 P	19200	96,89	12880	2x1½"	79,24	14020	2x1½"	-	6,60	28,68	66	227
XL 3000 E60	21000	-	-	-	-	-	-	24/36/60	6,60	28,68	66	234
XL 3000 E93	21000	-	-	-	-	-	-	34,8/58,2/93	6,60	28,68	66	234
XL 3000 A	2100	-	-	-	-	-	-	-	6,60	28,68	66	194

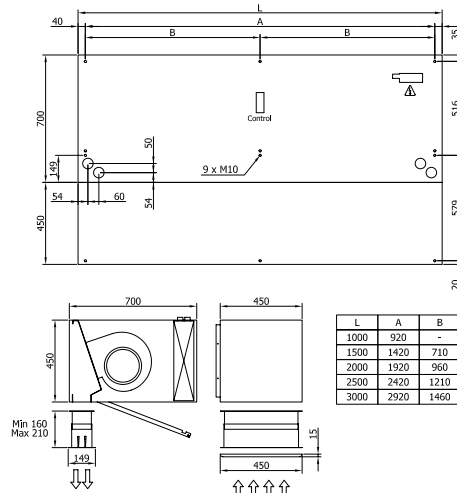
Layouts and dimensions



Free hanging mounting



Inside ceiling surface mounting



False ceiling invisible mounting

