


Characteristics


- Designed to be tailor-made, adaptable to any customer's needs.
- Structure made of aluminium profiles and galvanized plated steel panels, finished white RAL 9016 or silver grey RAL 9006 as standard. Other colours are available on request.
- Low noise centrifugal double inlet fans driven by an external rotor motor with built in thermal protection contact. Provided with five speed selection.
- "P" type includes water heated coils. "E" type includes electrical shielded elements, three power stages with power switches included. "A" type is without heating, air only.
- Anodised aluminium blow-out vanes, airfoil shaped, pitch angle adjustable each side.
- Control panel and 20m of telephonic cable with fast connectors type RJ45 (Plug & Play), included. Optional: Interface to connect to BMS.

Specifications

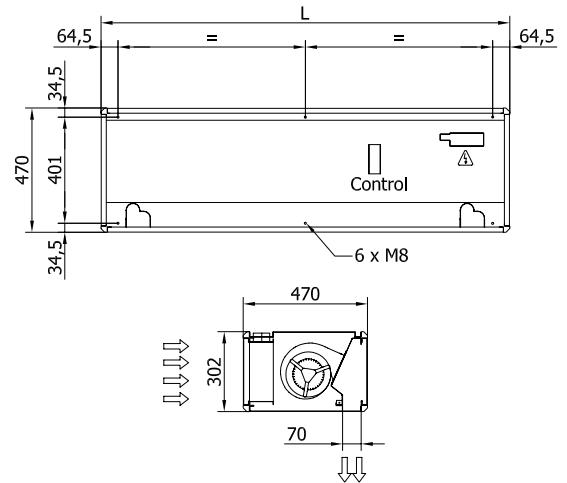
Model	Airflow m ³ /h	Heating Capacity	Water Drop Pressure	Water Connections	Heating Capacity	Water Drop Pressure	Water Connections	Electrical Heating Capacity	Fans Power	Fans Current	Noise Level	Weight kg
		80/60°C kW	80/60°C Pa	80/60°C	60/40°C kW	60/40°C Pa	60/40°C	3x400V-50Hz kW	230V-50Hz kW	230V-50Hz A	(3 m) dB(A)	
VARI S 1000 P	1250	8,53	7200	2x3/4"	6,50	2250	2x3/4"	-	0,372	1,68	53	39
VARI S 1000 E	1300	-	-	-	-	-	-	3/6/9	0,372	1,68	53	41
VARI S 1000 A	1300	-	-	-	-	-	-	-	0,372	1,68	53	34
VARI S 1500 P	1875	12,92	3800	2x3/4"	10,62	8300	2x3/4"	-	0,558	2,52	54	58
VARI S 1500 E	1950	-	-	-	-	-	-	4/8/12	0,558	2,52	54	62
VARI S 1500 A	1950	-	-	-	-	-	-	-	0,558	2,52	54	50
VARI S 2000 P	2500	18,11	8300	2x3/4"	14,10	4400	2x3/4"	-	0,744	3,36	55	73
VARI S 2000 E	2600	-	-	-	-	-	-	6/12/18	0,744	3,36	55	80
VARI S 2000 A	2600	-	-	-	-	-	-	-	0,744	3,36	55	62
VARI S 2500 P	3125	22,20	3000	2x3/4"	18,10	8650	2x3/4"	-	0,930	4,20	56	79
VARI S 2500 E	3250	-	-	-	-	-	-	6/12/18	0,930	4,20	56	86
VARI S 2500 A	3250	-	-	-	-	-	-	-	0,930	4,20	56	66
VARI M 1000 P	1800	10,27	850	2x3/4"	8,72	4250	2x3/4"	-	0,510	2,22	54	39
VARI M 1000 E	1850	-	-	-	-	-	-	3/6/9	0,510	2,22	54	41
VARI M 1000 A	1850	-	-	-	-	-	-	-	0,510	2,22	54	34
VARI M 1500 P	2700	16,98	3250	2x3/4"	13,86	6700	2x3/4"	-	0,765	3,33	55	58
VARI M 1500 E	2775	-	-	-	-	-	-	4/8/12	0,765	3,33	55	62
VARI M 1500 A	2775	-	-	-	-	-	-	-	0,765	3,33	55	50
VARI M 2000 P	3600	23,60	8000	2x3/4"	18,58	4900	2x3/4"	-	1,020	4,44	56	73
VARI M 2000 E	3700	-	-	-	-	-	-	6/12/18	1,020	4,44	56	80
VARI M 2000 A	3700	-	-	-	-	-	-	-	1,020	4,44	56	62
VARI M 2500 P	4500	29,16	3860	2x3/4"	23,18	4050	2x3/4"	-	1,275	5,55	57	79
VARI M 2500 E	4625	-	-	-	-	-	-	6/12/18	1,275	5,55	57	86
VARI M 2500 A	4625	-	-	-	-	-	-	-	1,275	5,55	57	66
VARI G 1000 P	2700	13,10	1300	2x3/4"	11,31	6850	2x3/4"	-	0,765	3,33	55	44
VARI G 1000 E	2775	-	-	-	-	-	-	5/10/15	0,765	3,33	55	46
VARI G 1000 A	2775	-	-	-	-	-	-	-	0,765	3,33	55	38
VARI G 1500 P	3600	20,30	4500	2x3/4"	16,72	9400	2x3/4"	-	1,020	4,44	56	64
VARI G 1500 E	3700	-	-	-	-	-	-	7,5/15/22,5	1,020	4,44	56	68
VARI G 1500 A	3700	-	-	-	-	-	-	-	1,020	4,44	56	55
VARI G 2000 P	5400	30,40	12850	2x3/4"	24,18	7900	2x3/4"	-	1,530	6,66	57	83
VARI G 2000 E	5550	-	-	-	-	-	-	10/20/30	1,530	6,66	57	90
VARI G 2000 A	5550	-	-	-	-	-	-	-	1,530	6,66	57	72
VARI G 2500 P	6300	36,00	5700	2x3/4"	28,90	6000	2x3/4"	-	1,785	7,77	58	87
VARI G 2500 E	6475	-	-	-	-	-	-	10,7/21,3/32	1,785	7,77	58	96
VARI G 2500 A	6475	-	-	-	-	-	-	-	1,785	7,77	58	76



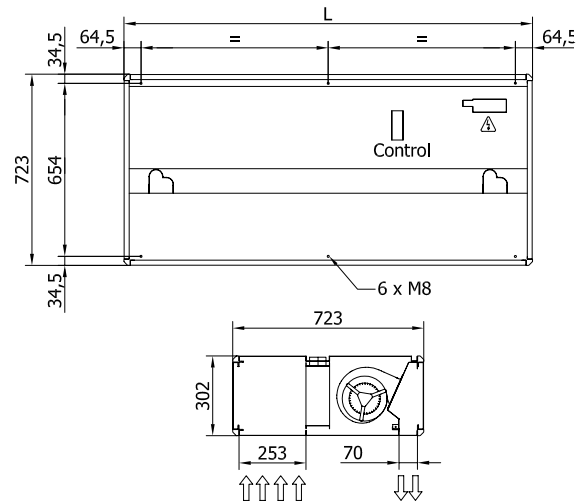
Layouts and dimensions

VariWind air curtains can be tailor-made at the request of the customers in any length up to 3 meters.

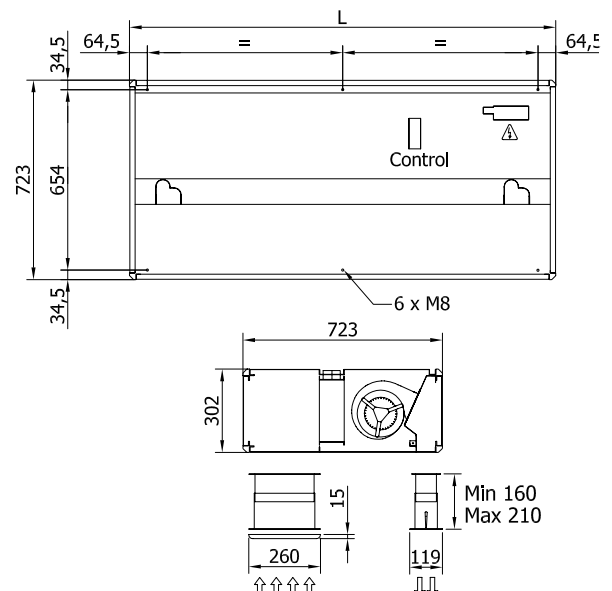
	Standard L	Customised L
Variwind 1000	1045	1045-1544
Variwind 1500	1545	1545-2049
Variwind 2000	2050	2050-2549
Variwind 2500	2550	2550-3000



Free hanging mounting



Inside ceiling surface mounting



False ceiling invisible mounting

